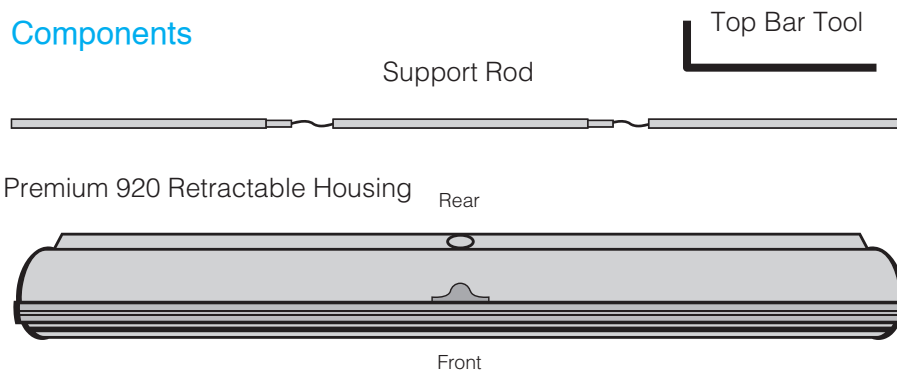


# Premium 920 Retractable

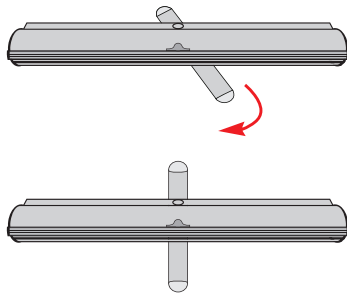
## Components



*Please check package contents to familiarize yourself with the components required for assembly.*

## Retractable Assembly Instructions

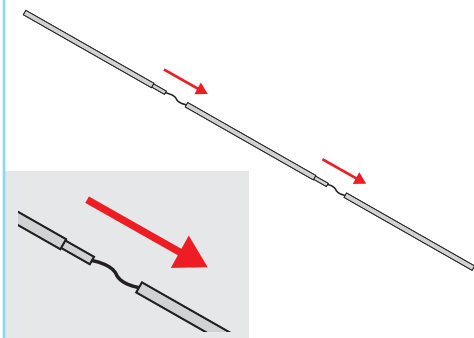
### Step 1



Located on the bottom of the retractable housing is a foot.

Swivel the foot into place so that it is perpendicular to the retractable housing.

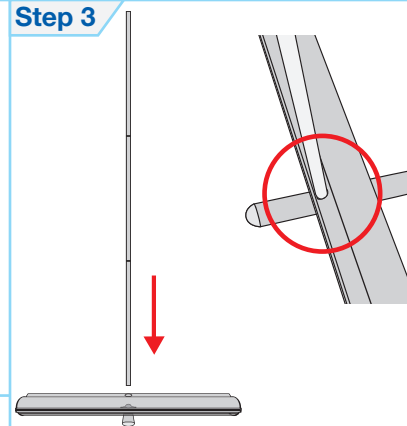
### Step 2



Assemble the support rod.

The 3 sections of the support rod will interlock with each other.

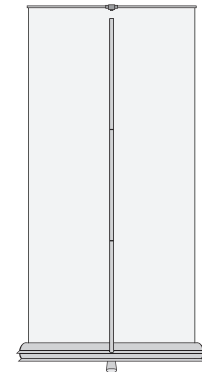
### Step 3



Locate the support rod hole on the rear on the retractable.

Set the support rod into the hole and secure.

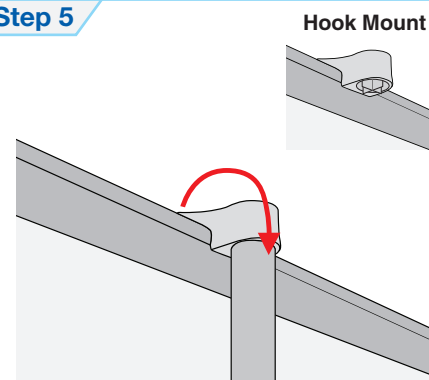
### Step 4



From the rear, gently lean the retractable back and pull the banner out by the top bar.

Bring the top bar just slightly higher than the support pole.

### Step 5



Locate the hook mount on the top bar.

While holding the banner up, place the hook mount over the top of the support pole.

This will secure the retractable display and assembly will be complete.

#### Misc Parts:

**Top Bar Tool:** Used to release the top bar from the banner for replacement.

Call us at [800.538.6544](tel:800.538.6544) for any issues you might have regarding output, equipment and assembly.